

ASTEC Integrated Bio-station was first designed and made in 1999 when IVF expert physicians and embryologists came together to develop the best workstation for IVF routine works. ASTEC has constantly modified the workstations to meet the needs of customers for over 20 years.

The unique and unparalleled built-in microscope system has enabled operators to work on the full-flat worksurface and still have easy access to all functions of the microscope illumination base.

Completely Customizable

Our unique ability to create and customize your desired workstation goes beyond our competitors reach. We offer a wide variety of options and sizes you can select from to meet your daily operations. Consult with our experts to see what we can do for you.



SPECIFICATIONS

【 AIMT and AITT Series 】

	AIMT-180L	AIMT-200L	AITT-160L	AITT-180L	AITT-200L
External dimensions (W*H*D) [mm]	1,800 x 1,980 x 750	2,000 x 1,980 x 750	1,600 x 1,980 x 750	1,800 x 1,980 x 750	2,000 x 1,980 x 750
Working surface [mm]	1,700 x 645	1,900 x 645	1,500 x 645	1,700 x 645	1,900 x 645
Light (LED)	40W	50W	40W	40W	50W
Dawn lights	15Wx2 (Variable with 3 intensities)				
Vertical air velocity	0~0.4m/sec (Variable with 5 different flows)				
Filter efficiency	99.99% or more (0.3µm particle size)				
Cleanliness	Class 100				
Monitor / Input	21-inch color monitor standard / HDMI, Display port, D-sub				
Working surface warmer	Variable between 30°C~40°C				
Glass thermo plate	Variable between 30°C~40°C				
Power consumption	880W	900W	840W	880W	900W
Weight	260kg	280kg	240kg	260kg	280kg

* AIMT Series - Used with one (1) stereo microscope and one (1) inverted microscope
* AITT Series - Used with two (2) Stereo microscopes

【 AT Series 】

	AT-80L	AT-100L	AT-130L	AT-160L	AT-180L	AT-200L
External dimensions (W*H*D) [mm]	800 x 1,980 x 750	1,000 x 1,980 x 750	1,300 x 1,980 x 750	1,600 x 1,980 x 750	1,800 x 1,980 x 750	2000 x 1980 x 750
Working surface [mm]	700 x 645	900 x 645	1,200 x 645	1,500 x 645	1,700 x 645	1,900 x 645
Light (LED)	18W	20W	32W	40W		50W
Dawn lights	15Wx2 (Variable with 3 intensities)					
Vertical air velocity	0~0.4m/sec (Variable with 5 different flows)					
Filter efficiency	99.99% or more (0.3µm particle size)					
Cleanliness	Class 100					
Monitor / Input	21-inch color monitor standard / HDMI, Display port, D-sub					
Working surface warmer	Variable between 30°C~40°C					
Glass thermo plate	Variable between 30°C~40°C					
Power consumption	490W	560W	800W	840W	880W	900W
Weight	155kg	175kg	210kg	240kg	260kg	280kg

* AT Series - Used with one (1) stereo microscope

【 AIM Series 】

	AIM-130L	AIM-160L	AIM-180L	AIM-200L
External dimensions (W*H*D) [mm]	1,300 x 1,980 x 750	1,600 x 1,980 x 750	1,800 x 1,980 x 750	2,000 x 1,980 x 750
Working surface [mm]	1,200x645	1,500x645	1,700x645	1,900x645
Light (LED)	32W	40W		50W
Dawn lights	15Wx2 (Variable with 3 intensities)			
Vertical air velocity	0~0.4m/sec (Variable with 5 different flows)			
Filter efficiency	99.99% or more (0.3µm particle size)			
Cleanliness	Class 100			
Anti-Vibration	Passive anti-vibration ready for inverted microscope			
Monitor / Input	21-inch color monitor standard / HDMI, Display port, D-sub			
Working surface warmer	Variable between 30°C~40°C			
Glass thermo plate	Variable between 30°C~40°C			
Power consumption	800W	840W	880W	900W
Weight	210kg	240kg	260kg	280kg

* AIM Series / Used with one (1) inverted microscope

Integrated Bio-Station

We make "Your workstation" and deliver with confidence





SAFETY is our primal concern

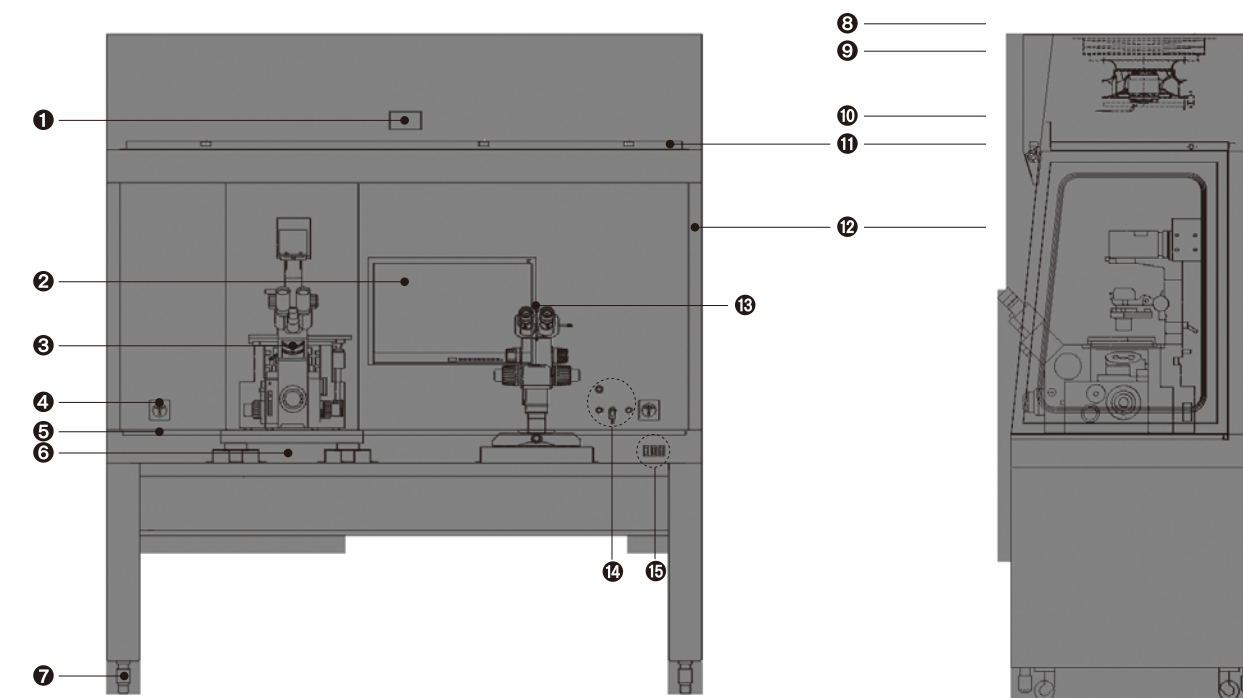
The stainless worksurface with a built-in thermo plate is smooth and free of obstructions for easier cleaning and a faster, safer workflow. The entire working area of the surface is thermally controlled.



Built-in anti-vibration table comes with the workstation as a standard feature on AIM and AIMT models.

Precise and Reliable

Our Integrated Bio Workstation is precisely built to reflect our unique and dependable engineering for our customers worldwide. As the leading manufacturer of Bio Medical Equipment in Japan, our main policy & strategy is to use long lasting, high quality materials in the production of every ASTEC Bio made product leaving our facilities.



- | | | |
|---------------------------------|------------------------|--------------------------|
| 1 Control touch panel | 6 Anti-vibration table | 11 LED light |
| 2 21" LCD Display | 7 Casters | 12 Side tempered glass |
| 3 Inverted microscope provision | 8 VOC Filter | 13 Stereoscope provision |
| 4 Power outlet | 9 Prefilter | 14 Extra gas ports |
| 5 Working surface | 10 HEPA Filter | 15 Main switches |

Only workstation lets you see what you are supposed to see

Light illumination stand of Stereomicroscope can be built-in under the working surface where all the functions are accessible from the working surface. Tell us what stereoscopes you wish to use, and we can offer the appropriate fitting mechanism for you.



Built-in Incubation, Within your reach

Custom built-in Mini benchtop incubator conveniently placed within your reach. Dry or Humid? You can choose. Extra Security with a lockable lid and observation window.



Please DO touch the Screen.

Intuitive, easy to use touch-panel conveniently located in the front, which allows temperature, lights and air velocity control with just a touch of your fingertip.



Extra access for CO₂, pre-mixed gas, and power plug for additional incubation device promotes safer handling of your samples.